



# RT6E-150-170M

**36 Cells**

Mono-crystalline

**150-170W**

Power output

**17.02%**

The Highest Efficiency

**0 ~ +5W**

Tolerance

WWW.RESTARSOLAR.COM

RT6E-150-170M is a robust solar module with 36 solar cells. These modules can be used for on-grid solar applications. Our meticulous design and production techniques ensure a high-yield, long-term performance for every module produced. Our rigorous quality control and in-house testing facilities guarantee Restar solar's modules meet the highest quality standards possible.



High module conversion efficiency (up to 17.02%), through superior manufacturing technology



Guaranteed 0~+5W positive power output tolerance ensures high reliability



Anti-reflective, hydrophobic coating improves light absorption and reduces surface dust

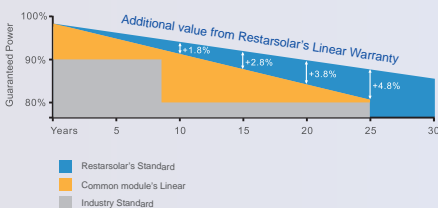


Excellent performance under low light environments (mornings, evenings and cloudy days)



Suitable for harsh environments, such as coasts, deserts and lakes. Withstand high level of wind loads (2400pa) and snow loads (5400pa)

## 0.5% Annual Degradation over 30 years



## Full range of products and certification systems

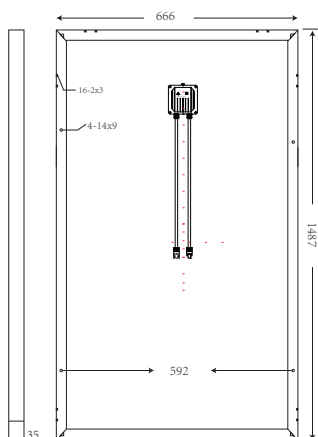
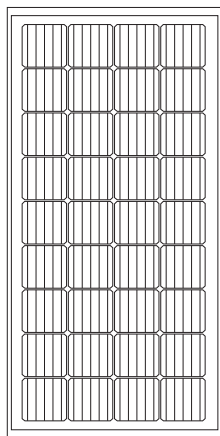
ISO 9001 TUV PID-FREE CE IEC61215/61730/61701/62716



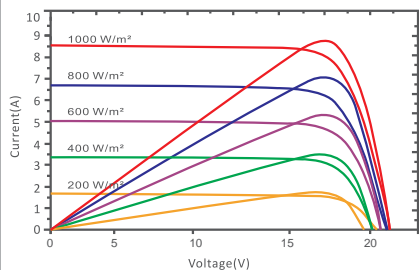
**LINEAR PERFORMANCE WARRANTY**

12 year Product Warranty / 30 year Linear Power Warranty

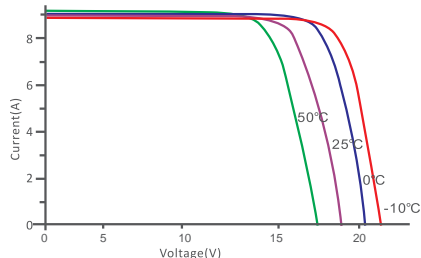
**Dimension of PV Modules** Unit: mm



**I-V characteristics at different irradiances**



**I-V characteristics at different temperature**



### ELECTRICAL DATA(STC)

Rated Power in Watts-Pmax(Wp)	150W	155W	160W	165W	170W
Open Circuit Voltage-Voc(V)	22.51V	22.8V	23.21V	23.33V	23.26V
Short Circuit Current-Isc(A)	8.75A	8.89A	8.98A	9.16A	9.18A
Maximum Power Voltage-Vmp(V)	18.4V	18.45V	18.6V	18.94V	19.32V
Maximum Power Current-Imp(A)	8.75A	8.89A	8.98A	9.16A	9.18A
Module Efficiency (%)	15.13%	15.63%	16.14%	16.64%	17.02%

STC: Irradiance 1000 W/m<sup>2</sup>, Cell Temperature 25°C, Air Mass AM1.5 according to EN 60904-3.

### ELECTRICAL DATA(NOCT)

Maximum Power-Pmax (Wp)	110.97W	114.67W	118.37W	122.06W	125.76W
Open Circuit Voltage-Voc (V)	20.9V	21.16V	21.54V	21.66V	21.59V
Short Circuit Current-Isc (A)	7.1A	7.22A	7.29A	7.44A	7.45A
Maximum Power Voltage-Vmp(V)	16.99V	17.04V	17.18V	17.49V	17.84V
Maximum Power Current-Imp(A)	6.52A	6.72A	6.88A	6.97A	7.04A

NOCT: Irradiance at 800 W/m<sup>2</sup>, Ambient Temperature 20°C, Wind Speed 1 m/s.

### MECHANICAL DATA

Solar cells	Mono-crystalline 156x156mm, 4 or 5 Bus bars
Cell configuration	36 cells(4x9)
Module dimensions	1487x666x35mm
Weight	11.5KGS
Front Cover	3.2mm Tempered Glass
Frame Material	Anodized Aluminum Alloy
J-BOX	IP65 or IP67, 6 Diodes
Cable	4mm <sup>2</sup> (IEC)/12AWG(UL),900mm
Connectors	MC4 or MC4 Comparable
Standard Packaging	2pcs/carton box

### TEMPERATURE & MAXIMUM RATINGS

Nominal Operating Cell Temperature (NOCT)	45°C±2°C
Temperature Coefficient of Voc	-0.32%/°C
Temperature Coefficient of Isc	0.05%/°C
Temperature Coefficient of Pmax	-0.39%/°C
Operational Temperature	-40~+85°C
Maximum System Voltage	1000V(IEC)/600V(UL)
Max Series Fuse Rating	12A
Limiting Reverse Current	12A

### PACKAGING CONFIGURATION

	40HQ	20GP
Number of modules per container	1640pcs	660pcs
Package	2pcs/carton box	2pcs/carton box
Package Weight	23kg/carton box	23kg/carton box
Package Number	820carton boxes	330carton boxes
Package Dimension	1500*700*80mm/carton box	1500*700*80mm/carton box