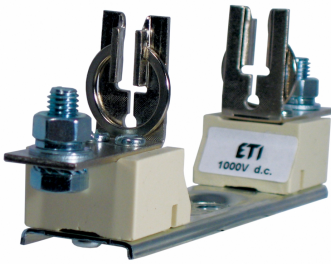


PK 0 M8-M8 DC 1000V 1p



Specifications

ETI Code	004122033
Description	PK 0 M8-M8 DC 1000V 1p
Class name	Fuse link base
Rated current (A)	160
Product group	LV-fuse base
Rated AC voltage (V)	1000
Connection	M8
Rated DC voltage (V)	1000
Mounting	Screw mounting
Standards	IEC60269

Online product page 

Other documentation

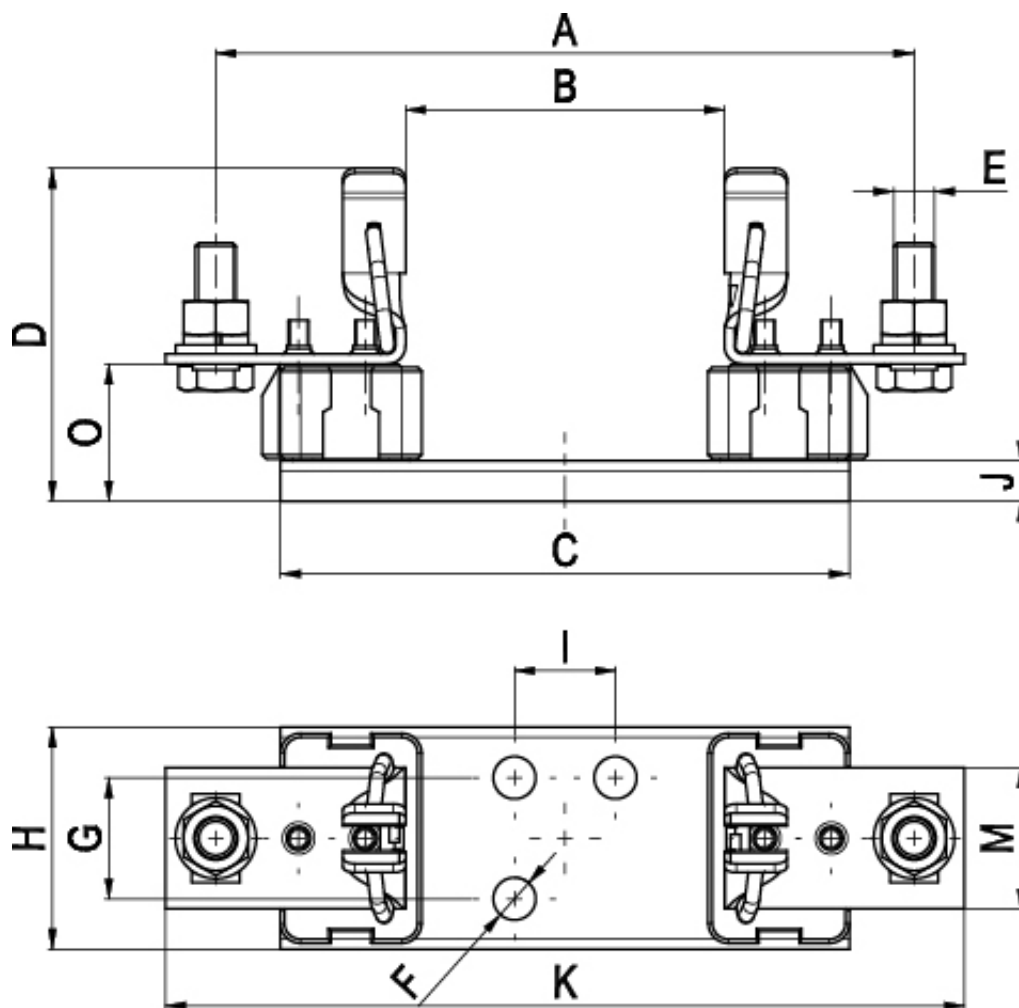


Technical data catalogue
 3D Model
 Eplan file

ETIM international classification

Classification	EC000067
Class name	Low Voltage HRC fuse base
Max. rated operation voltage Ue AC	1000
Rated voltage DC	1000
Mounting method	Screw mounting
Construction size	Other
Number of poles	1
Rated current	160A

Dimension drawing



Type	Dimensions [mm]													
	A	B	C	D	E	F	G	H	I	J	K	M	O	
PK0 DC	150	74	130	60	M8-M8	Ø7,5	-	33	25	4,5	170	20	25	
PK1 DC	175	80	141	82	M10-M10	Ø10,5	30	55,5	25	10	200	35	35	
PK2 DC	200	80	166	87	M10-M10	Ø10,5	30	65	25	10	225	35	35	
PK3 DC	210	80	166	99	M12-M12	Ø10,5	30	65	25	10	240	35	35	