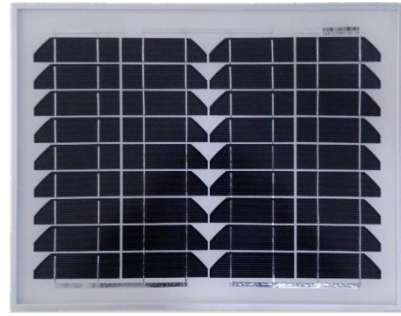




YL10C-18b

YL12C-18b



Warranty

5-year repair and workmanship warranty

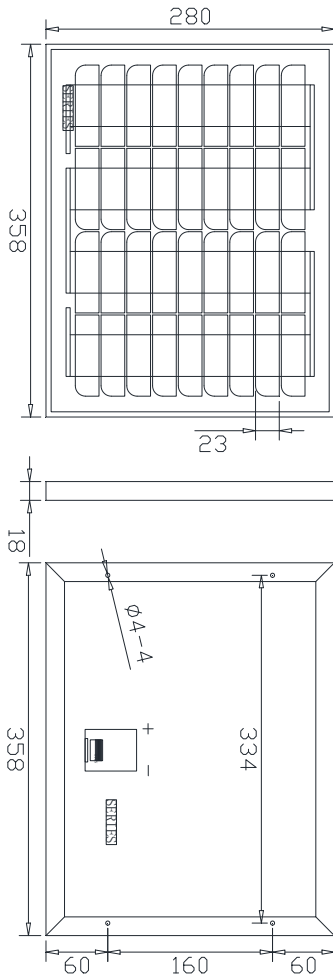
12-year warranty at 90% power output

25-year warranty at 80% power output

Typical Electrical Characteristics

Models	YL10C-18b	YL12C-18b
Power Tolerance (%)	±3	±3
Max. Power (Pmax) (W)	10	12
Optimum Operating Voltage (Vmp/V)	17.96	18.68
Optimum Operating Current (Imp/A)	0.56	0.64
Open-circuit Voltage (Voc/V)	22.50	
Short-circuit Current (Isc/A)	0.61	0.67
Cells efficiency (%)	17.4	19.05

Note: the specifications are obtained under the Standard Test Condition (STC): 1,000W/m², Am 1.5, Cell Temperature 25°C



Mechanical Characteristics

Solar cell (mm)	Mono 78×23
No.of Cell and Connections	36 (4×9)
Dimension (L×W×H) (mm)	280×358×18
Weight (kg)	1.1 (approx)
Junction Box	IP65
Connector	N/A
Packaging Configuration	10pcs/cnt
Load Capacity	15K/ 40'GP

Working Conditions

Maximum System Voltage	DC 1000V (IEC)
Temperature cycling range	-40°C ~ +85°C
NOTC	47°C
Application Class	Class A
Temperature coefficients of Isc	(+0.06%/°C)
Temperature coefficients of Voc	(-0.35%/°C)
Temperature coefficients of Pmax	(-0.4%/°C)



فروشگاه اروین سولار

تلفن: ۰۲۱ - ۳۳۹۹۹۰۵۶
۰۲۱ - ۳۳۹۹۹۰۷۲

www.ervinsolar.ir
ervinsolar@hotmail.com