



100W Modified Sine Wave DC-AC Power Inverter

A301/302-100 series



■ Features :

- Built-in USB interface
- Cooling by free air convection(without fan)
- Slim size can fit in with the cup holder on vehicles
- High efficiency up to 90%
- 12V or 24V DC input
- Input voltage range: -15% ~ +25%
- Output voltage regulation:±10%
- Protections: Input reverse polarity/Bat. Low shutdown/Over voltage/Over load/Over temperature/Output short
- Output waveform: Modified sine wave
- Topology: Microprocessor
- Approvals: e13/ CE
- 1 year warranty

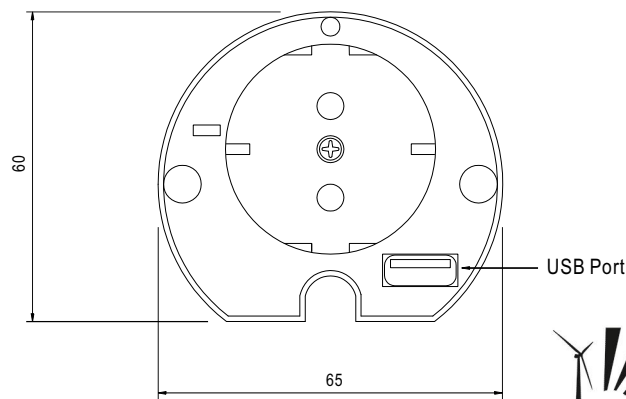
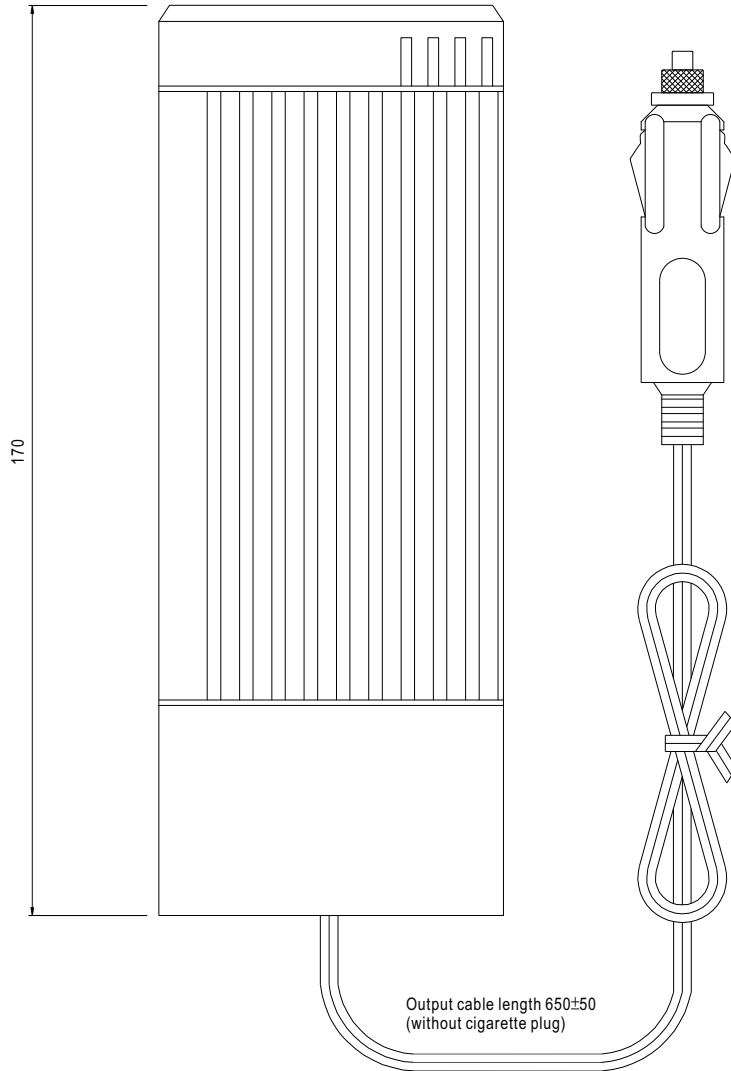


SPECIFICATION

ORDER NO.	A301-100-F3	A302-100-F3	
OUTPUT	SAFETY MODEL NO.	A-100-150W(N)	
	AC RATED VOLTAGE <small>Note.1</small>	230V	
	RATED POWER	100W	
	SURGE POWER	200W	
	WAVEFORM	Modified Sine Wave	
	FREQUENCY	50Hz±1%	
	AC REGULATION		±10%
	STANDARD RECEPTACLES	Europe*1ea	
	LED INDICATOR	Dual-color indicator display for power on / failure status	
INPUT	USB POWER	5VDC / 500mA (max.)	5VDC / 300mA (max.)
	DC CURRENT	15A	10A
	NO LOAD CURRENT DRAW	0.25A	0.2A
	DC VOLTAGE	12V	24V
	VOLTAGE RANGE	10 ~ 15VDC	21 ~ 30VDC
	EFFICIENCY (Typ.)	90%	
	DC CONNECTOR	650±50mm Cigarette plug*1ea	
PROTECTION	FUSE	15A* 1ea	10A* 1ea
	BAT. LOW SHUTDOWN	10±0.5V	19.5±1V
	OVER VOLTAGE	15 ~ 17V	30 ~ 32V
	OVER TEMPERATURE	60±5°C / 140±9°F (case)	
	OUTPUT SHORT	Shut-off	
ENVIRONMENT	REVERSE. POLARITY	By fuse open	
	WORKING TEMP.	0 ~ +30°C @100% load, 40°C @ 50% load	
	WORKING HUMIDITY	20% ~ 90% RH non-condensing	
	STORAGE TEMP., HUMIDITY	-30 ~ +70°C / -22 ~ +158°F, 10 ~ 95% RH	
SAFETY & EMC	TEMP. COEFFICIENT	±0.05% / °C (0 ~ 50°C)	
	ISOLATION RESISTANCE	I/P-O/P:100M Ohms min./ 500VDC / 25°C / 70% RH	
	EMI CONDUCTION & RADIATION	Compliance to EN55022 class B, 72/ 245/ CEE, 2006/96/CE	
	EMS IMMUNITY	Compliance to EN61000-4-2,3	
OTHERS	LVD	Compliance to EN60950-1	
	DIMENSION	φ 65*170mm (Diameter*L)	
	PACKING	0.55Kg ; 30pcs / 17.5Kg / CARTON	
	COOLING	By air convection	
NOTE	APPLICATIONS	Home appliance, office and portable equipment and vehicle ...etc.	
	NOTE	1. AC rated output voltage is measured at 12.5VDC, 25VDC input voltage.	

■ Mechanical Specification

Unit:mm



فروشگاه اروین سولار

تلفن : ۰۲۱ - ۳۳۹۹۹۰۵۶
همت بلند ۰۲۱ - ۳۳۹۹۹۰۷۲

www.ervinsolar.ir
ervinsolar@hotmail.com